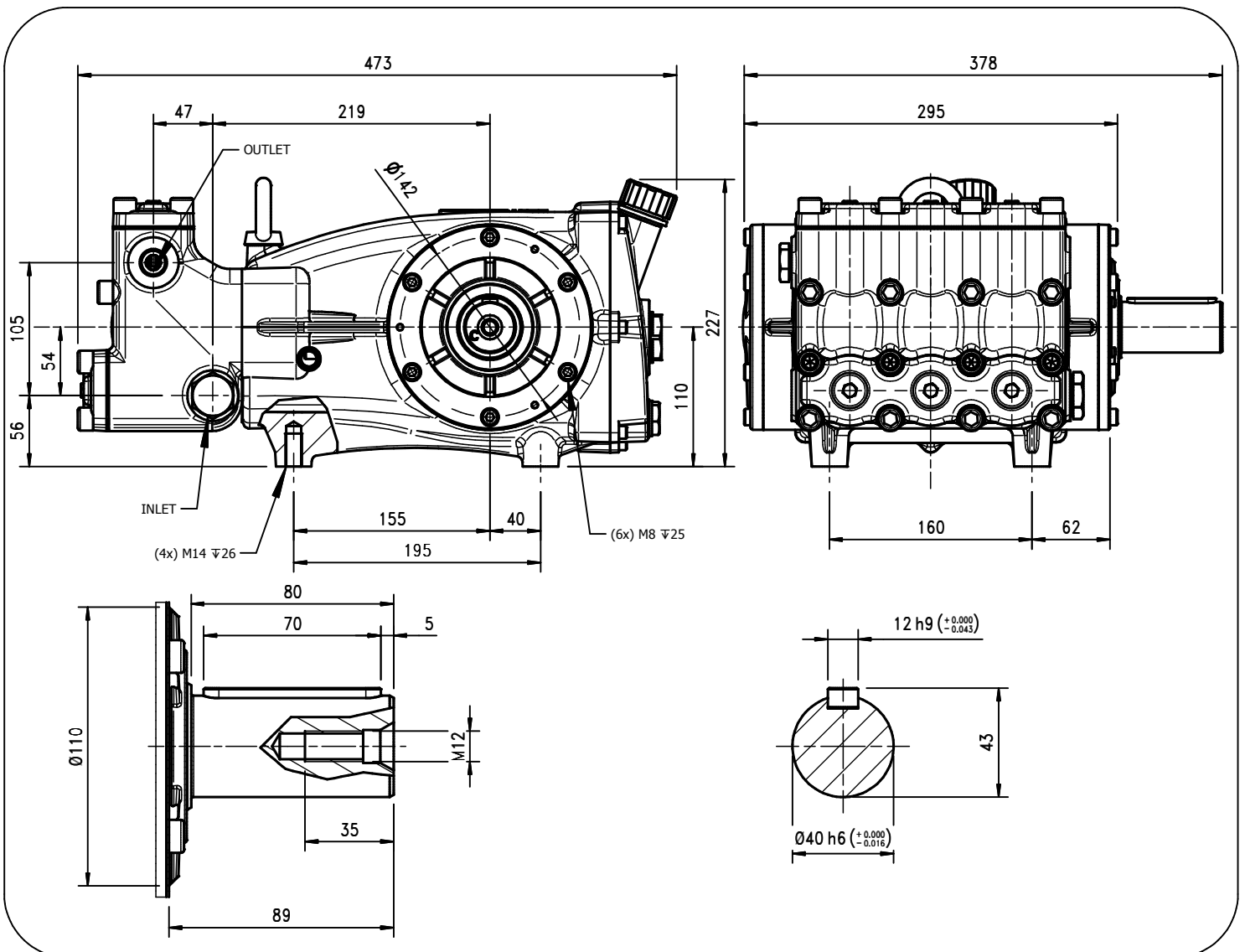


| Pump Pompe Pumpen Pompa | Pressure Pression Druck Pressione | | Volume Débit Wassermenge Portata | | RPM tours/min u.p.m. giri/min | Power Puissance Leistung Potenza | | Inlet port Entrée Eingang Aspirazione | Outlet Sortie Ausgang Mandata | Weight Kg Poids Kg Gewicht Kg Peso Kg |
|----------------------------------|--|------|---|------|--|---|------|--|--|--|
| | bar | PSI | l/min | GPM | | HP | kW | | | |
| HHP2750 | 500 | 7250 | 27 | 7.1 | 1450 | 35.5 | 26.1 | G 3/4 | G 1/2 | 51 |
| HHP3650 | 500 | 7250 | 36 | 9.5 | 1450 | 46.9 | 34.5 | G 3/4 | G 1/2 | 51 |
| HHP4150 | 500 | 7250 | 41 | 10.8 | 1450 | 53.7 | 39.5 | G 3/4 | G 1/2 | 51 |
| HHP5040 | 400 | 5800 | 50 | 13.3 | 1740 | 51.5 | 37.9 | G 3/4 | G 1/2 | 51 |

Dimensioni d'ingombro

Overall dimensions



Lubrificazione: Olio SAE 10W40
Capacità: 3,5 Litri

Lubrication: SAE 10W40 Oil
Capacity: 3,5 Litres

Pompe HHP1450 rpm 2013

SPARE PARTS KIT

KIT RICAMBI

| Posizioni Items | Part Number & Description | Codice e Descrizione | Q.tà per ogni Pompa Q.ty for each Pump | HHP2750 R/L | HHP3650 R/L | HHP4150 R/L | HHP5040 R/L |
|--|---|--|---|-------------|-------------|-------------|-------------|
| 4- 6- 8 | 2600.70 Plunger Seals 20 mm | 2600.70 Guarnizioni pistone Ø20 | 1 | | | | |
| 4- 5- 6- 7- 8 | 2600.82 Complete Seals Packing 20 mm | 2600.82 Pacco completo guarnizioni pistone Ø20 | 3 | | | | |
| 37- 38- 39- 40 | 2600.97 Plunger 20 mm | 2600.97 Pistone Ø20 | 3 | | | | |
| 12- 13- 15 | 2600.98 Complete valve | 2600.98 Valvola completa | 6 | ◆ | ◆ | ◆ | ◆ |
| 2- 3 | 2600.64 Plunger Oil Seals | 2600.64 Anelli tenuta olio asta | 1 | | | | |
| 4- 5- 6- 7- 8- 9 10- 11- 12- 13 14- 15- 16- 17 18- 21- 22 | 2600.99 Complete Manifold | 2600.99 Testata completa | 1 | | | | |

PARTS LIST

LISTA PARTI

| Pos. Item | Codice Part Number | Description | Descrizione | Q.tà per ogni Pompa Q.ty for each Pump | HHP2750 R/L | HHP3650 R/L | HHP4150 R/L | HHP5040 R/L |
|--------------|--------------------------|---------------------------------|--|---|-------------|-------------|-------------|-------------|
| 1 | 0202.94 | Carter | Carter | 1 | | | | |
| *2 | 0001.15 | Plunger oil seal | Anello radiale | 3 | | | | |
| *3 | 0101.24 | Plastic Bushing | Boccola paraolio aste | 3 | | | | |
| *4 | 0601.16 | "O" Ring Ø2,62x56,82 | "O" Ring Ø2,62x56,82 | 3 | | | | |
| *5 | 1201.54 | Pressure ring Ø20 mm | Pressore Ø20 mm | 3 | | | | |
| *6 | 0002.52 | "U" seal, Ø20x28 mm | Anello tenuta "U" Ø20x28 mm | 3 | | | | |
| *7 | 0300.74 | Intermed.ring Ø20 mm | Diffusore Interm. Ø20 mm | 3 | | | | |
| *8 | 0002.66 | "U" seal, Ø20x30 mm 350-500 BAR | Anello tenuta "U" Ø20x30 mm 350-500 BAR | 3 | | | | |
| *9 | 0603.11 | Copper washer | Guarnizione rame G3/4 Ø26,7/32,5x1,5 | 1 | ◆ | ◆ | ◆ | ◆ |
| *10 | 1601.58 | Inox plug G3/4 | Tappo G 3/4 Inox | 1 | | | | |
| *11 | 1602.37 | Manifold housing | Testata | 1 | | | | |
| *12 | 0601.97 | "O" Ring Ø2,62x22,22 | "O" Ring Ø2,62x22,22 | 15 | | | | |
| *13 | 3604.75 | Valve assembly | Valvola premontata | 6 | | | | |
| *14 | 1601.66 | Valve plug | Tappo valvola | 3 | | | | |
| *15 | 0009.42 | Back ring | Anello antiestrusione | 9 | | | | |
| *16 | 0203.54 | Valves cover | Coperchio VAM | 2 | | | | |
| *17 | 1801.07 | Valves cover screw | Vite TCEI M12x30 UNI 5931 | 12 | | | | |
| *18 | 1802.01 | Valve plug screw | Vite TE M6x16 UNI 5739 | 6 | | | | |
| 19 | 1801.09 | Manifold stud bolt | Vite TCEI M12x140 UNI 5931 | 4 | | | | |
| 20 | 1801.10 | Manifold stud bolt | Vite TCEI M12x120 UNI 5931 | 4 | | | | |
| *21 | 0603.07 | Copper washer | Guarnizione rame G1/2 Ø | 1 | | | | |

Pompe HHP1450 rpm 2013

PARTS LIST

LISTA PARTI

| Pos. Item | Codice Part Number | Description | Descrizione | Q.tà per ogni Pompa Q.ty for each Pump | HHP2750 R/L | HHP3650 R/L | HHP4150 R/L | HHP5040 R/L |
|-----------|--------------------|----------------------------|-------------------------------|---|-------------|-------------|-------------|-------------|
| *22 | 1601.54 | Inox plug G1/2 | Tappo G1/2 inox | 1 | | | | |
| *23 | 1503.33 | Valve seat | Sede valvola | 6 | | | | |
| 24 | 1202.15 | Valve plate | Piattello valvola | 6 | | | | |
| 25 | 0900.32 | Valve spring | Molla valvola | 6 | | | | |
| 26 | 0604.06 | Valve cage | Gabbia valvola | 6 | ◆ | ◆ | ◆ | ◆ |
| 27 | 1801.06 | Bearing housing screw | Vite TCEI M8x25 UNI 5931 | 12 | | | | |
| 28 | 0500.98 | Closed bearing housing | Flangia chiusa | 1 | | | | |
| 29 | 0601.12 | "O" Ring Ø2,62x120,32 | "O" Ring Ø2,62x120,32 NBR | 2 | | | | |
| 30 | 0200.12 | Roller bearing | Cuscinetto 32310 rulli conici | 2 | | | | |
| 31 | 0006.23 | Single - endend crankshaft | Albero singola P.d.F. | 1 | ◆ | | | |
| | 0006.24 | Single - endend crankshaft | Albero singola P.d.F. | 1 | | ◆ | | |
| | 0006.25 | Single - endend crankshaft | Albero singola P.d.F. | 1 | | | ◆ | ◆ |
| 32 | 0206.07 | Crankshaft key | Chiavetta | 1 | | | | |
| 33 | 1800.12 | Eyebolt | Golfare M12 | 1 | | | | |
| 34 | 0001.14 | Crankshaft seal | Anello radiale | 1 | | | | |
| 35 | 0301.12 | Shim | Distanziale | 1 | | | | |
| 36 | 0500.97 | Bearing housing | Flangia aperta | 1 | | | | |
| *37 | 1800.11 | Plunger bolt | Vite pistone | 3 | | | | |
| 38 | 0601.15 | "O" Ring Ø1,78x11,11 | "O" Ring Ø1,78x11,11 | 3 | | | | |
| *39 | 1200.29 | Plunger | Pistone | 3 | | | | |
| *40 | 1400.55 | Copper spacer | Rosetta rame pistone | 3 | | | | |
| 41 | 0003.22 | Plunger rod | Asta pattino | 3 | | | | |
| 42 | 1501.05 | Snap ring | Anello Ø22 | 6 | | | | |
| 43 | 1502.05 | Connecting rod pin | Spinotto | 3 | ◆ | ◆ | ◆ | ◆ |
| 44 | 0100.09 | Connecting rod | Biella | 3 | | | | |
| 45 | 1403.05 | Spring washer | Rosetta elastica Ø8 | 6 | | | | |
| 46 | 1800.13 | Connecting rod screw | Vite biella | 6 | | | | |
| 47 | 0601.11 | "O" ring Ø 2,62x209,23 | "O" ring Ø 2,62x209,23 | 1 | | | | |
| 48 | 0203.55 | Crankcase cover | Coperchio carter | 1 | | | | |
| 49 | 0601.19 | "O" Ring Ø2,62x17,13 | "O" Ring Ø2,62x17,13 | 1 | | | | |
| 50 | 1601.20 | Brass plug G1/2 | Tappo G1/2 ottone | 1 | | | | |
| 51 | 0700.06 | Sight glass G1 | Spia livello olio G1 | 1 | | | | |
| 52 | 1600.13 | Oil dip stick G3/4 | Tappo sfiato olio G3/4 | 1 | | | | |
| 53 | 1801.26 | Cover screw | Vite TCEI M6x22 UNI 5931 | 8 | | | | |
| 54 | 1601.67 | Valve plug | Tappo valvola | 3 | | | | |

Part available
in kit only

**Particol. disponibile
solo in kit**

* Part available
in kit also

**Particol. disponibile
anche in kit**